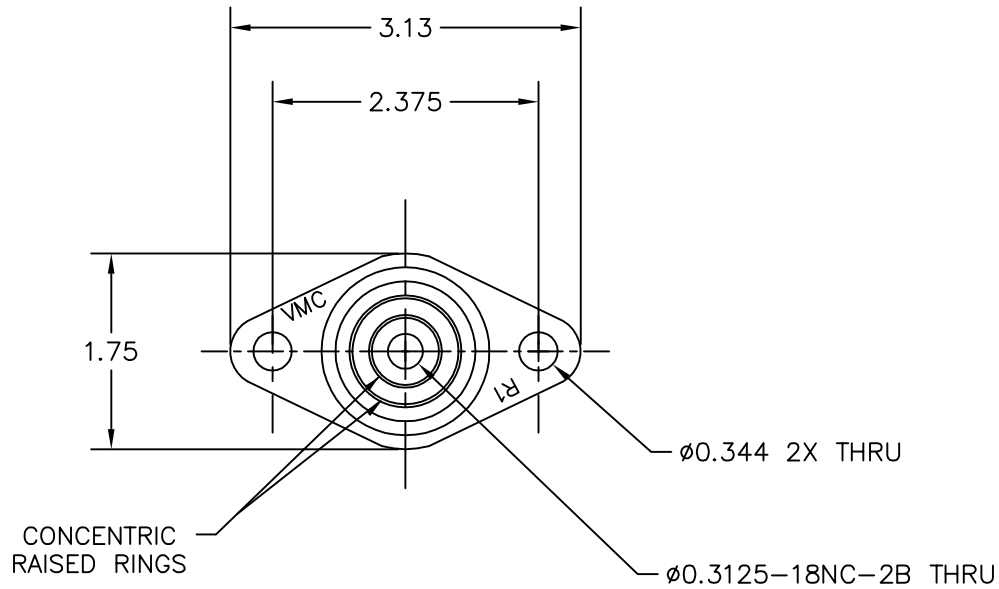
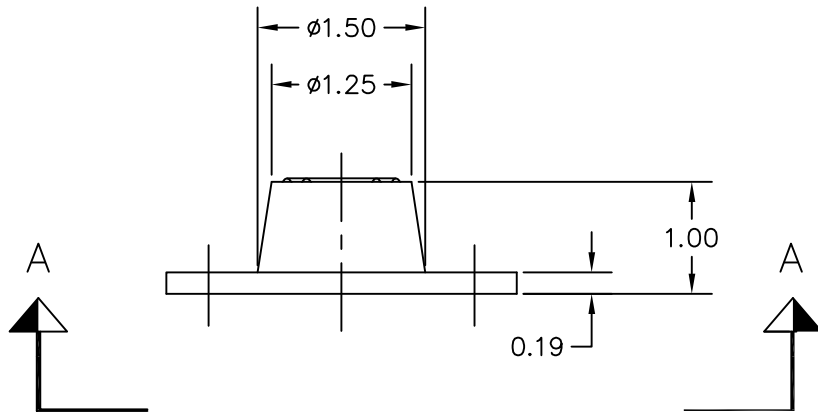
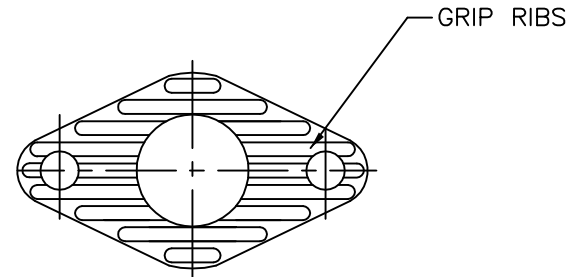


REV.	DESCRIPTION	DATE	BY



PART NUMBER	MODEL	RATED AXIAL LOAD (LBS)	DEFLECTION (IN)
330000	R1-BLUE	35	0.20
330108	R1-BLACK	45	0.20
330205	R1-RED	70	0.20
330302	R1-GREEN	120	0.20
330507	R1-GRAY	250	0.20



NOTES:

1. ALL DIMENSIONS ARE NOMINAL IN INCHES. INTERPRET PER ANSI Y14.
2. MOLDED STEEL AND ELASTOMERIC ISOLATOR FOR NON FAIL SAFE, SERVICE CONDITIONS. CONTACT THE VMC GROUP FOR APPLICABILITY
3. MODEL COLORS ARE MOUNT IDENTIFICATION MARKINGS WHICH ARE AN ACCEPTABLE ADDITION TO MODEL TYPE STAMPING
4. ADDITIONAL ELASTOMER TYPES & CAPACITIES AVAILABLE, CONTACT THE VMC GROUP FOR APPLICABILITY.

OTHER MATERIALS, COMPOUNDS, OR FINISHES WITH EQUAL OR SUPERIOR PROPERTIES MAY BE SUBSTITUTED AS THEY BECOME AVAILABLE.

CERTIFIED FOR:

JOB NAME: _____
 CUSTOMER: _____
 CUSTOMER P.O.: _____
 SALES ORDER: _____

**MODEL R1 35-250 LBS.
 ELASTOMERIC ISOLATOR
 0.20 INCH DEFLECTION**



SCALE: NONE

SHEET: _____



DRAWING NO.: _____

REVISION _____